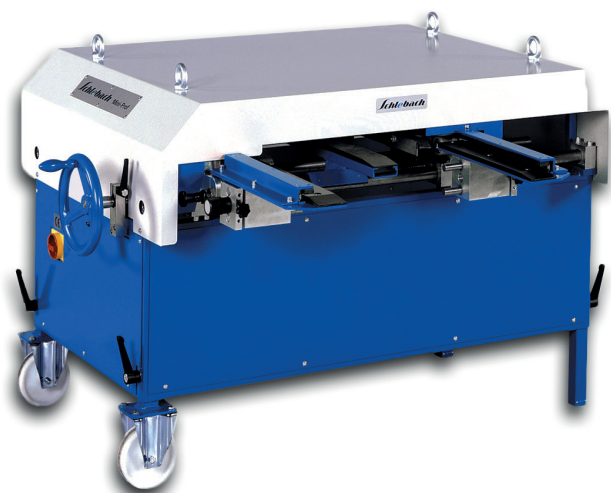


MINI-PROF Profiling machine

Schlebach
Profile technology for all roofs of the world



The ideal profiling machine for parallel and conical panels

The purpose of the profiling machine MINI-PROF is to produce double standing seam profiles 25 from blanks or cut lengths in a single pass. It is designed as a universal machine for the entry-level users or as a backup machine for onsite work.

The infeed width is continuously variable from 240 mm to 850 mm to cater for a wide range of applications. The axial dimension of the profiled panels that are produced by a parallel run of the MINI-PROF ranges from 170 mm to 780 mm, taking into account a seam loss of about 70 mm.

A single-sided run can produce conical and oblique panels or infill strips from a centre to centre distance of 50 mm. The length of the shortest panel is approx. 500 mm. The production rate is 11 meters per minute.

After adjusting the infeed guides to match the width of the cut, the profile shaping drive is turned on via the main switch and the cuttings or panels are then fed manually into the profiler while the drive is running.

The profiling units (tie-bars) with 7 shaping levels are built on a torsion-proof steel frame. The strip or sheet material is guided by lateral infeed guides on ball-bearings on the fixed, as well as the adjustable side. These are adjustable to set the outer edges of the profile.

The profile rollers are made of high quality special steel and surface treated. This special treatment provides the rollers with a high level of corrosion and wear protection. The bearings of the upper profile rollers have resilient mounts in order to adapt to the material thickness. This ensures an impression-free and low-wear production of the panels.

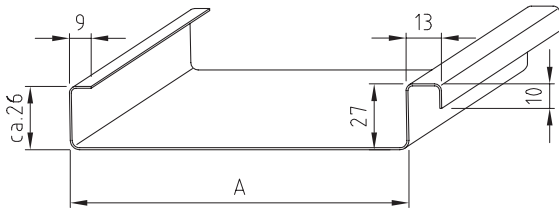
The machine is equipped with two plug-in carrying handles and is movable. The working height of the machine is adjustable from 670 mm to 870 mm. For this purpose, the two footrests and the castors may be extended and locked in place. To transport the machine, the infeed guides can be folded down. Furthermore, it can also be moved by a crane using the eye-bolts that are supplied as well.

Technical specifications

Supply voltage	230 V / 50 Hz / 1 Ph. 115 V / 50 Hz / 1 Ph. 115 V / 60 Hz / 1 Ph.
Drive power	1.1 kW
Operating speed	11 m/min
Forming stages	7 stations
Shortest panel length	500 mm
Infeed width	240 - 850 mm
Axial dimension	approx. 170 - 780 mm (depending on the material)
Infeed height	670 - 870 mm (continuously variable)
Processable materials	Titanium zinc up to 0.8 mm Copper up to 0.8 mm Aluminium up to 0.8 mm Sheet steel (galvanized and coated) up to 0.7 mm Stainless steel up to 0.5 mm
Dimensions (L x W x H)	1,200 mm x 1,400 mm x 850 - 1,050 mm
Weight	220 kg

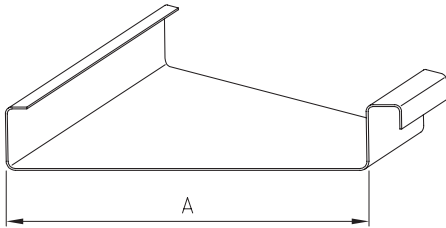


Possible profiles



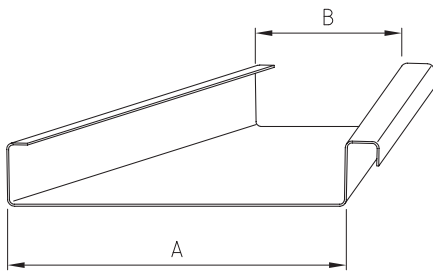
Standing seam 25

Width dimension "A" approx. 170 - 780 mm (parallel) - One run
 Width dimension "A" approx. 50 - 160 mm (seperately) - Two runs
 1st run "male" / 2nd run "female"



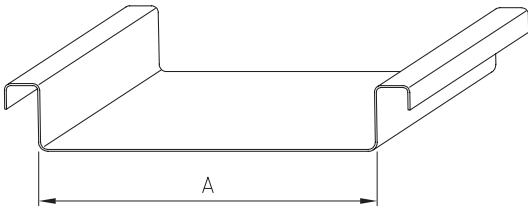
Standing seam 25 angled

Width dimension "A" approx. 170 - 780 mm (parallel) - One run
 Width dimension "A" approx. 50 - 160 mm (seperately) - Two runs
 1st run "male" / 2nd run "female"



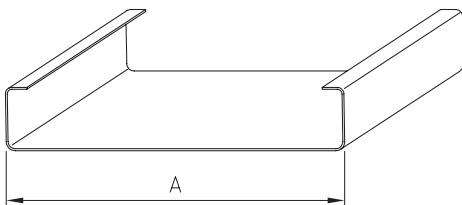
Standing seam 25 conical

Width dimension "A" approx. 50 - 700 mm /
 Width dimension "B" approx. 50 - 700 mm (seperately) - Two runs
 1st run "male" / 2nd run "female"



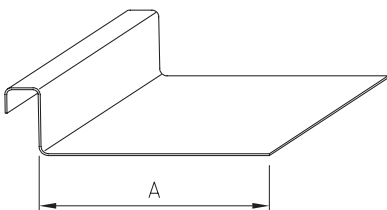
Standing seam 25 both sides "female"

Width dimension "A" approx. 50 - 700 mm (seperately) - Two runs



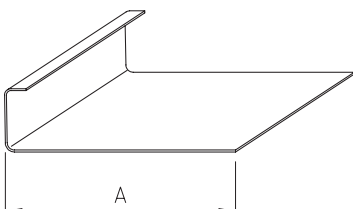
Standing seam 25 both sides "male"

Width dimension "A" approx. 60 - 700 mm (seperately) - Two runs



Standing seam 25 one side "female"

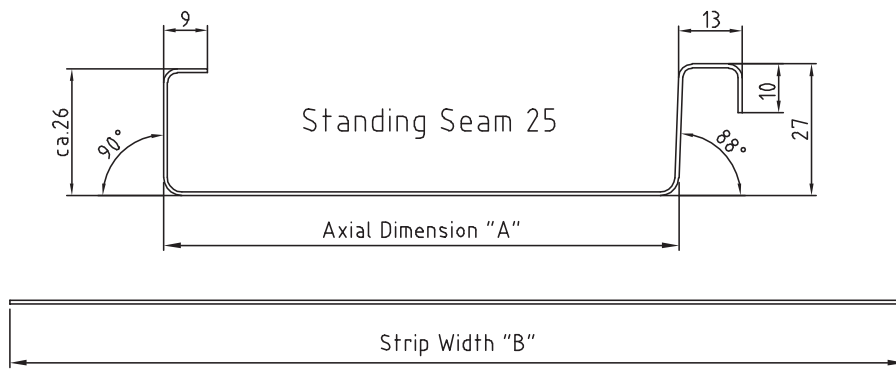
Width dimension "A" approx. 50 - 750 mm - One run



Standing seam 25 one side "male"

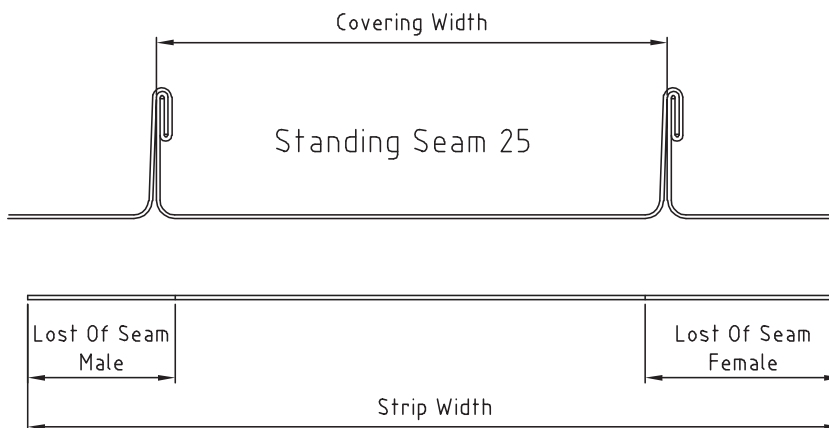
Width dimension "A" approx. 60 - 700 mm - One run

Strip width



Strip width „B“	Axial dimension „A“
300 mm	approx. 226 mm
400 mm	approx. 326 mm
500 mm	approx. 426 mm
600 mm	approx. 526 mm
700 mm	approx. 626 mm

Covering width



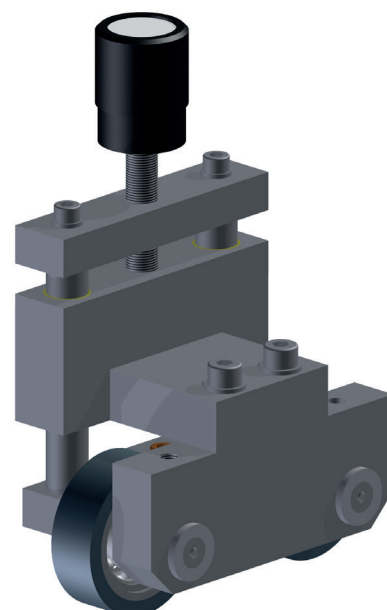
Strip width	Loss of seam (approx.)	Covering width (approx.)
300 mm	70 mm	230 mm
400 mm	70 mm	330 mm
500 mm	70 mm	430 mm
600 mm	70 mm	530 mm
700 mm	70 mm	630 mm

Accessoires

Guideboy

Additional material guide for single-sided profile shaping of panels. The installation of the guideboy on any of the Schleich profile shaping machine infeed guides requires little effort.

The Guideboy prevents the sheet material from shifting towards the centre of the machine during single-sided profile shaping operations. The required lateral force across the profiling direction may be adjusted by means of the directional angle, as well as an increase of the contact pressure on the sheet metal.



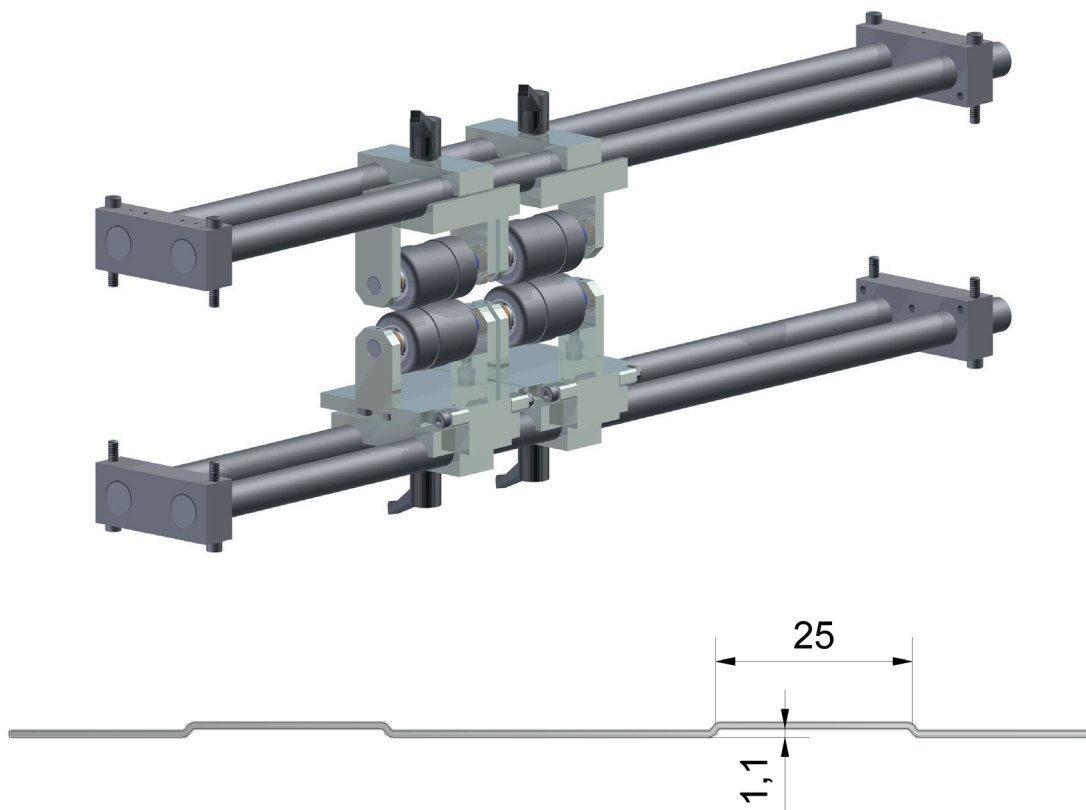
Damage to the material surface is ruled out by the use of high quality pressure rollers with a special rubber coating.

Ribbing attachment 25 mm

Ribbing attachment assembly to shape longitudinal ribs with a width of 25 mm and a depth of approximately 1.1 mm into the visible surface of profiled panels. The ribbing attachment assembly consists of a guide unit, upper and lower ribbing rollers with brackets.

Note: The profiling of ribs is not possible on conical shapes.

The ribbing attachment assemblies are equipped with high-quality ribbing rollers on ball-bearings to ensure maximum protection of the surface from the panels being profiled. The ribbing attachments are continuously adjustable across the profile shaping direction to ensure that the distance of the ribs that are pressed into the panels may be designed as required.



Schlebach-Maschinen GmbH
Nisterberger Weg 13
D – 57520 Friedewald
Phone: +49 (0) 27 43 / 92 07-0
Telefax: +49 (0) 27 43 / 43 02
Email: info@schlebach.de
Web: www.schlebach.de